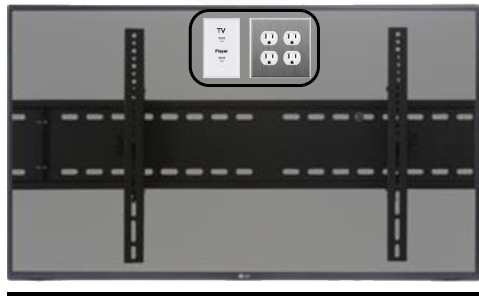


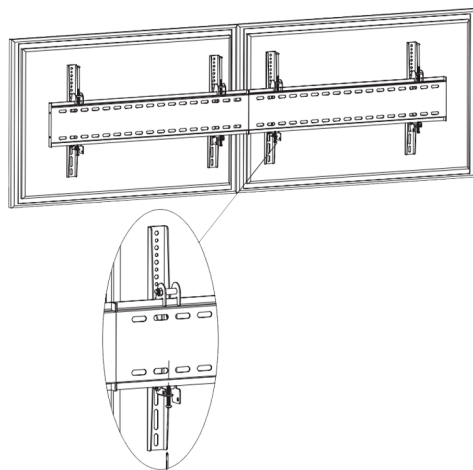


- 1-TV INSTALL GUIDE
- 15 AMP ELECTRICAL OUTLET
- 2-PORT ETHERNET (CAT5E or CAT6)



Individual TV Measurements

- 43" - 38" x 22"
- 50" - 45" x 26"
- 55" - 49" x 29"
- 65" - 57" x 32"



- REVERSE SIDE OF TV & MOUNT CONNECTION
- MAKE SURE BACK WALL NEEDS TO BE 3/4" PLYWOOD ON METAL STUDS