



TRIPLE SCREEN DRIVE-THRU INSTALL GUIDE



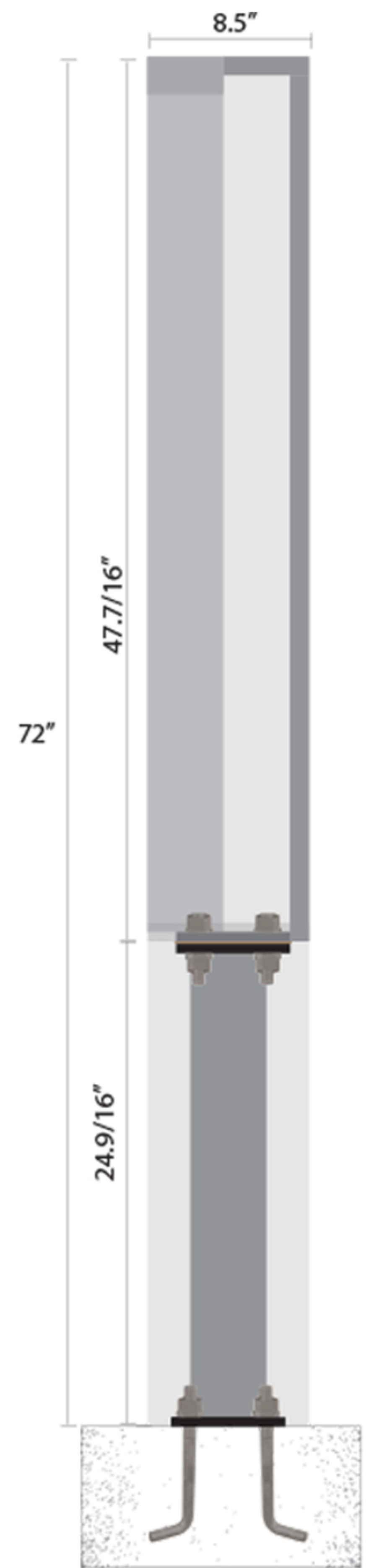
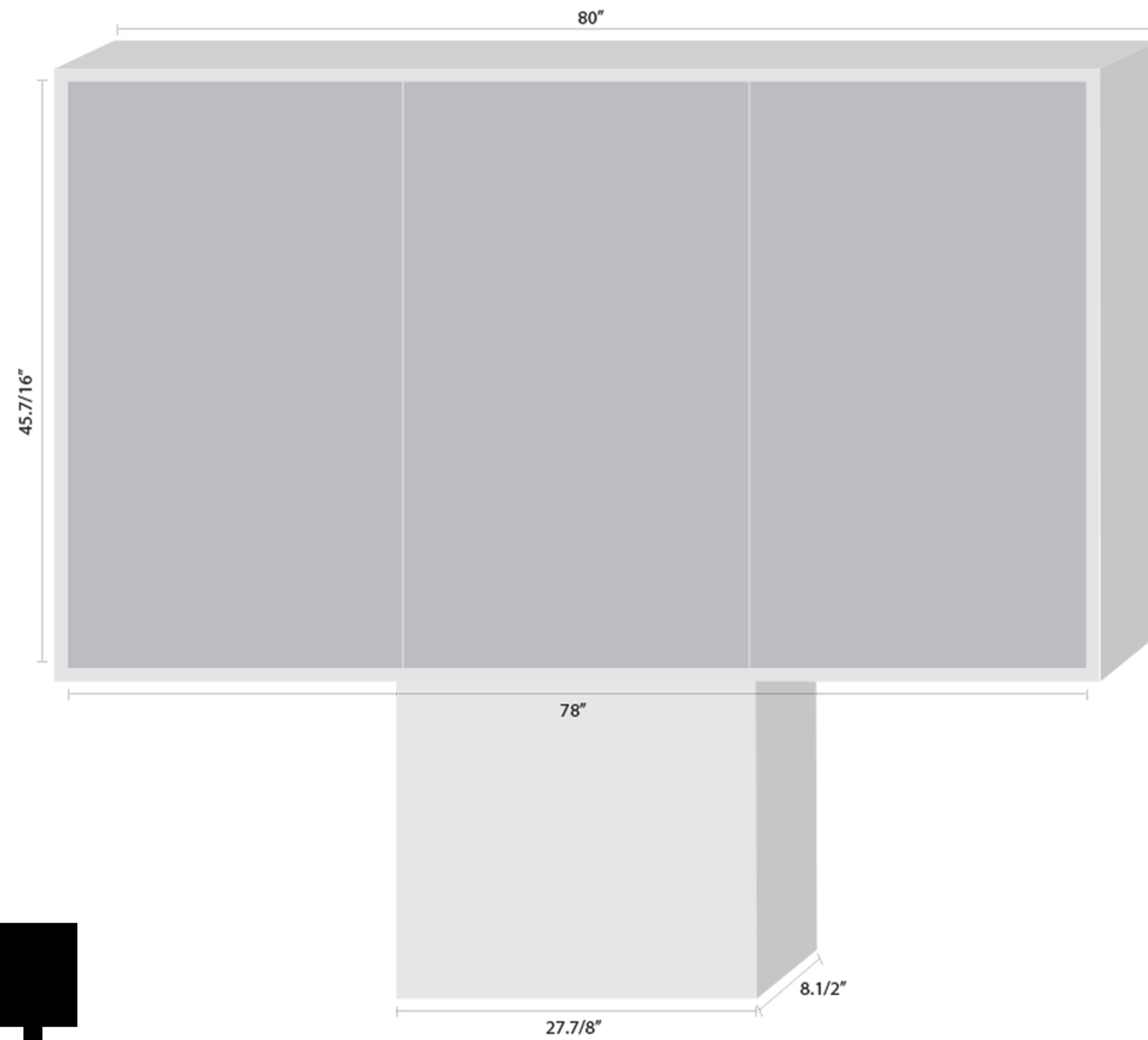
3 - 3/4" Conduits:

- 1 - Power
- 1 - Ethernet (3+ Cat5e or Cat6)
- 1 - Sound for Mic & Speaker

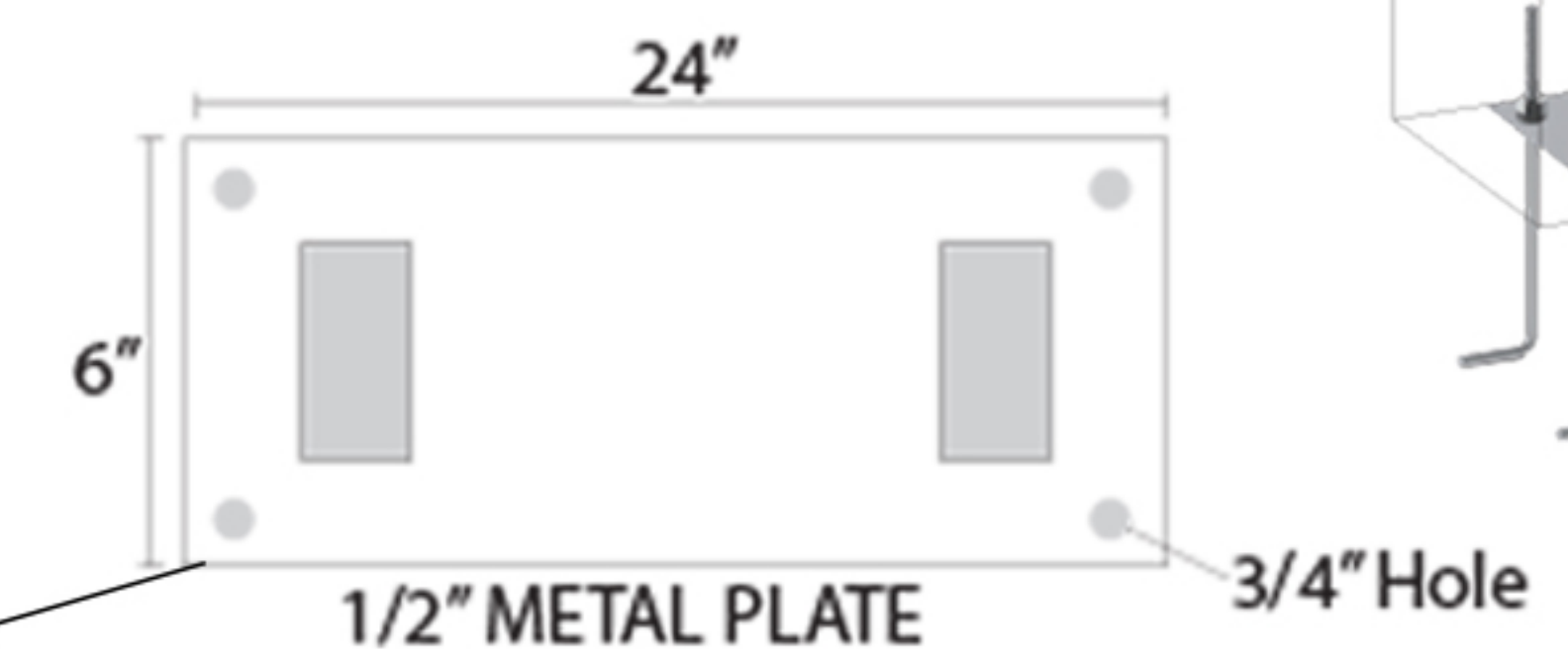


Sound Conduit
to
Speaker Post

Power &
Ethernet
Conduit



Concrete Pad
32" length x 12" width



Concrete Depth
24" - 36" deep
(depending on wind rating)

